

THIS DRAWING IS UNPUBLISHED.

RELEASED FOR PUBLICATION

ALL RIGHTS RESERVED.

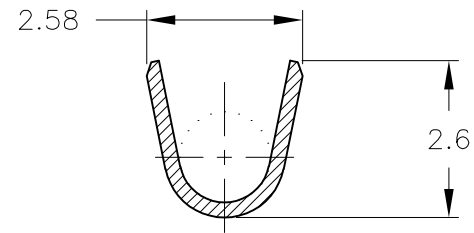
© COPYRIGHT - By -

LOC	DIST
J	-

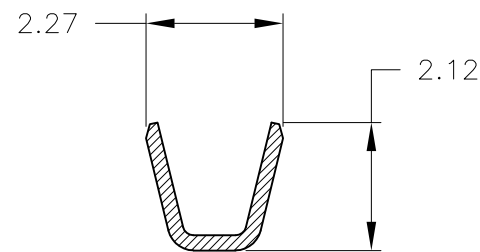
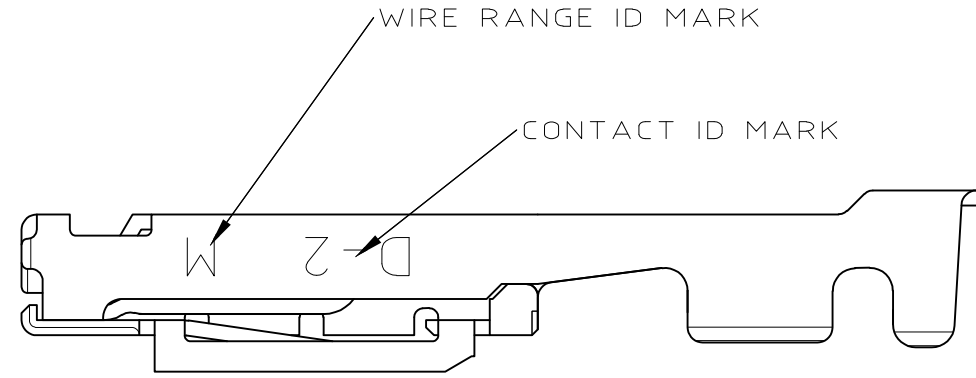
REVISIONS

P	LTR	DESCRIPTION	DATE	DWN	APVD
	D	REVISED PER ECR-15-011723	08AUG2015	Y.O	E.T
	E	REVISED PER ECR-16-016514	23NOV2016	K.T	E.T

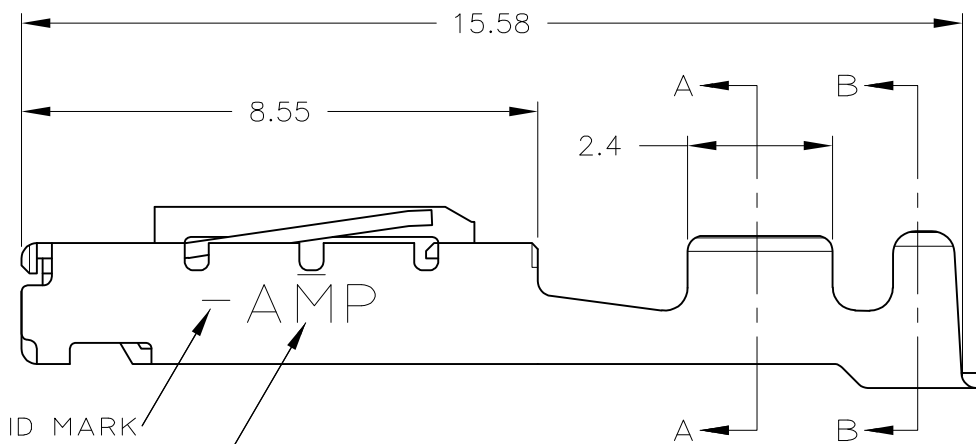
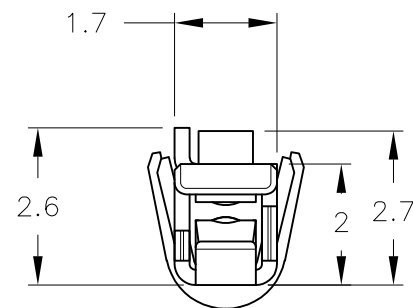
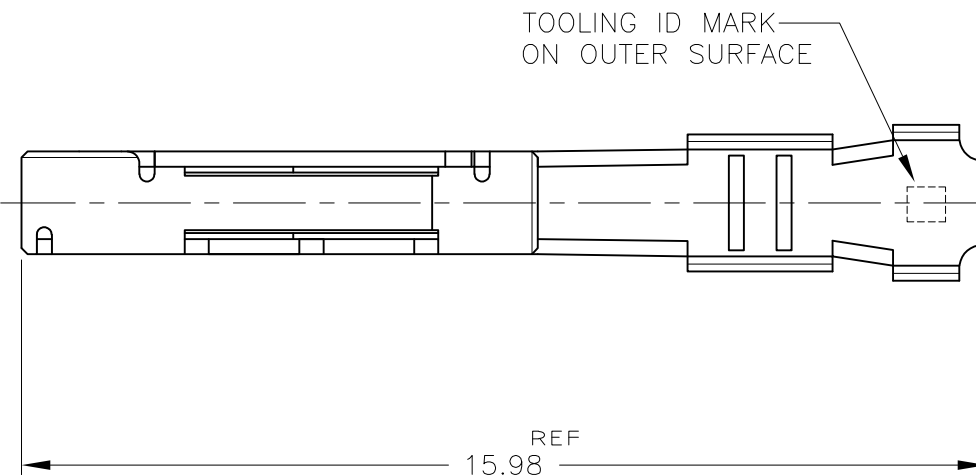
-1:AS SHOWN



SECT B-B



SECT A-A

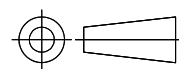


NOTES

- 1. FINISH(CONTACT AREA):0.38μmMIN GOLD PLATING OVER Ni PLATING

THIS DRAWING IS A CONTROLLED DOCUMENT.

DIMENSIONS: mm



TOLERANCES UNLESS OTHERWISE SPECIFIED:

- ±0.3
- >10 : ±0.35
- >30 : ±0.4
- ANGLE : ±3°

MATERIAL (COPPER ALLOY)

FINISH SEE NOTE

DWN	K.IKEDA	7/DEC/'98
CHK	N.MATSUBARA	7/DEC/'98
APVD	I.HASEGAWA	7/DEC/'98
PRODUCT SPEC	108-5619	
APPLICATION SPEC	114-5258	
WEIGHT	-	
CUSTOMER DRAWING		

WIRE RANGE		INSULATION DIA	
AWG #22~#18		1.26~1.90	
STE TE Connectivity			
REC CONNCTACT M SIZE,L/P DYNAMIC D-2 SERIES			
SIZE	CAGE CODE	DRAWING NO	RESTRICTED TO
A3	00779	C-1318107	-
SCALE		SHEET	REV
8:1		1 OF 1	E